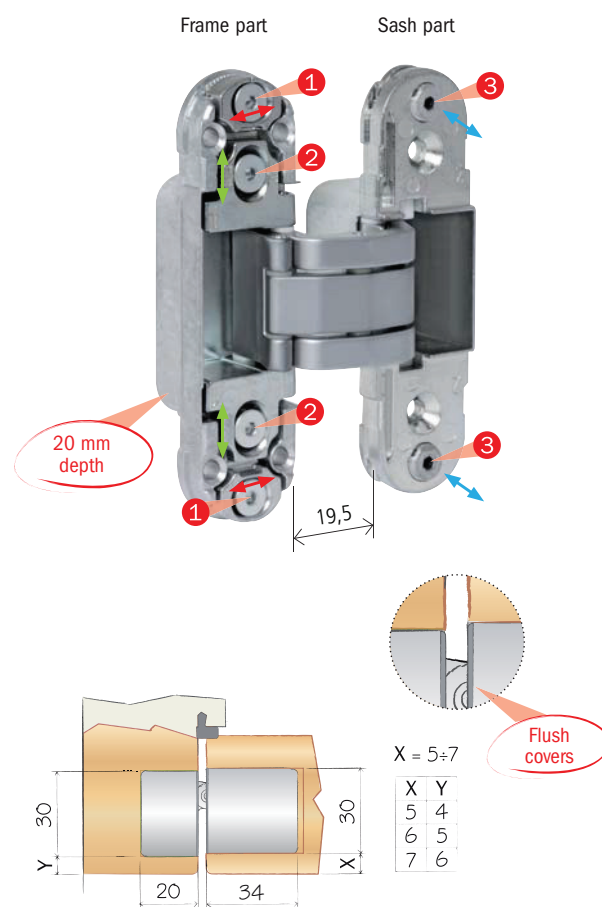


ECLIPSE 2.0

Hinge for flush doors



for wooden
doors



- The covers hide the screws and preserve the door design even when the sash is open.
- Flush covers in plastic material.

- Three adjustments completely independent using a unique 3 mm Allen key:
 - pressure adjustment ± 1 mm ①;
 - vertical adjustment ± 2 mm ②;
 - horizontal adjustment $\pm 1,5$ mm ③.