

# CLICK-O (90x2000 en 140x2000)

Montagehandleiding



**DU PONT**  
HANDEL EN MAATWERK

## ART. CLICK-O SINGOLO / SINGLE

MONTAGGIO - MOUNTING

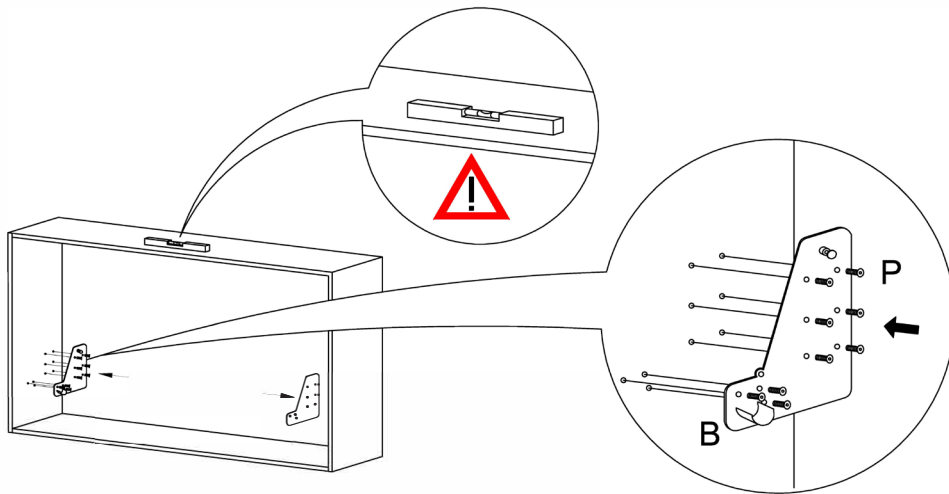


Assicuratevi di aver fissato il vostro mobile alla parete contro il ribaltamento, poichè le pareti sono di materiali diversi il fissaggio alla parete non è incluso

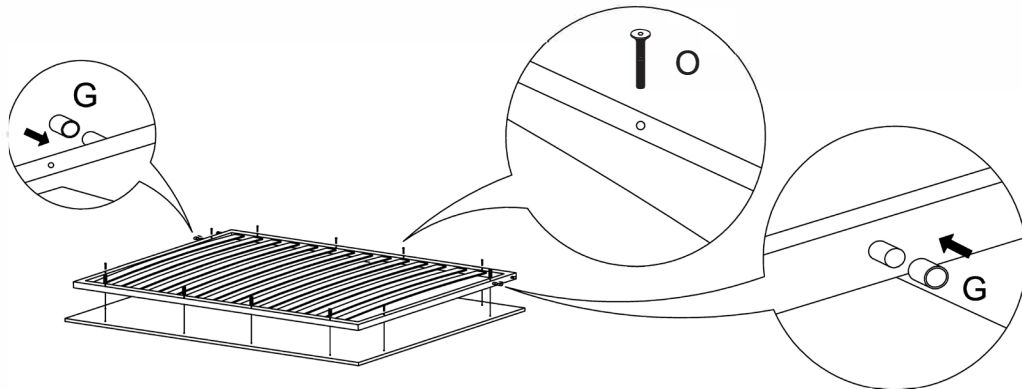
Make sure to fix your cabinet to the wall.

As wall materials vary, plates and screws for fixing to wall are not included.

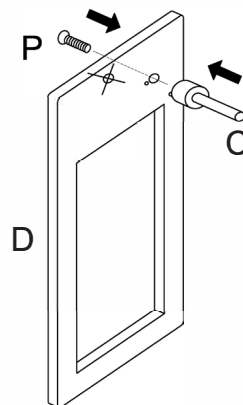
1



2



3

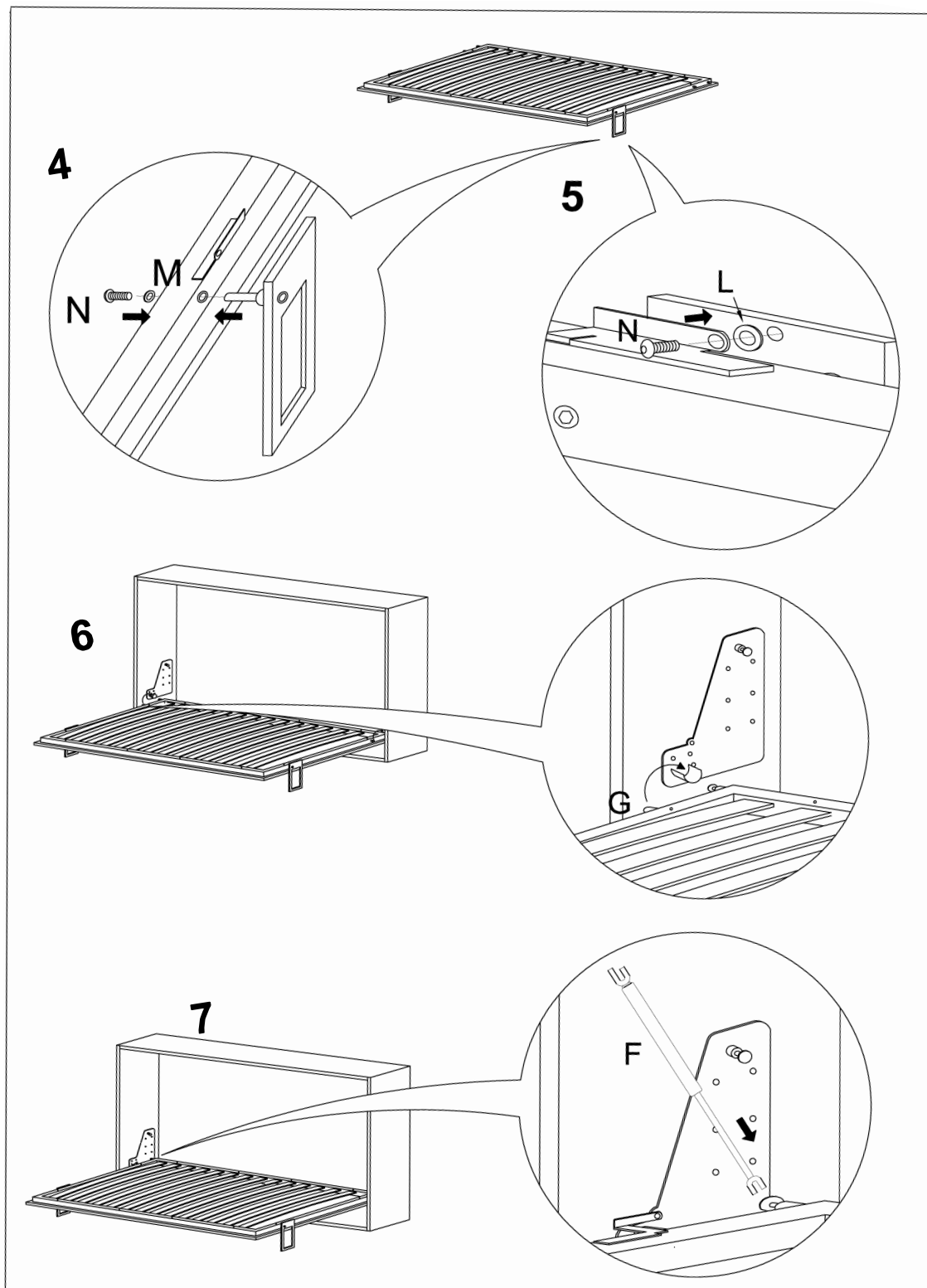


# CLICK-O (90x2000 en 140x2000)

Montagehandleiding



**DU PONT**  
HANDEL EN MAATWERK

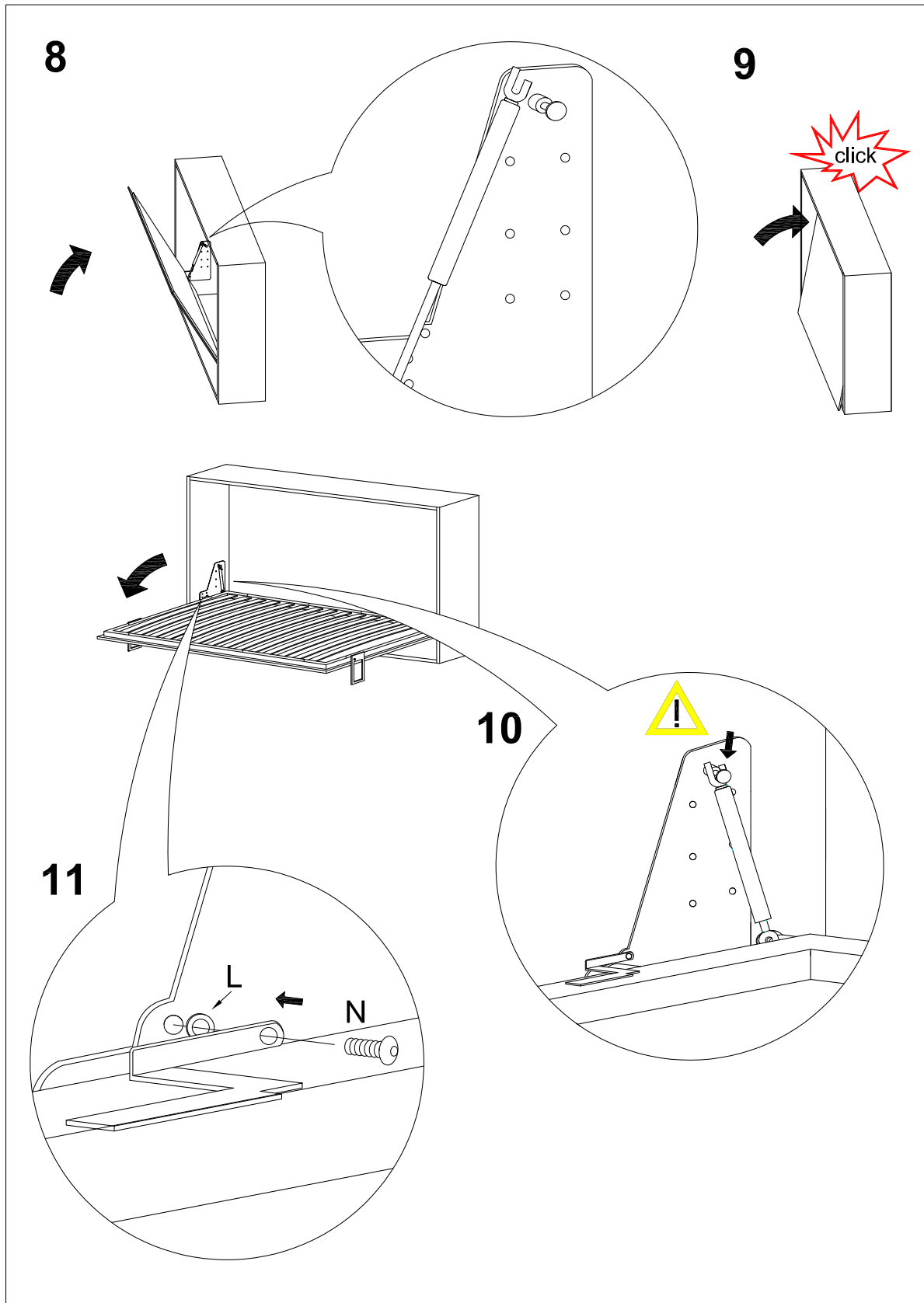


# CLICK-O (90x2000 en 140x2000)

Montagehandleiding



**DU PONT**  
HANDEL EN MAATWERK

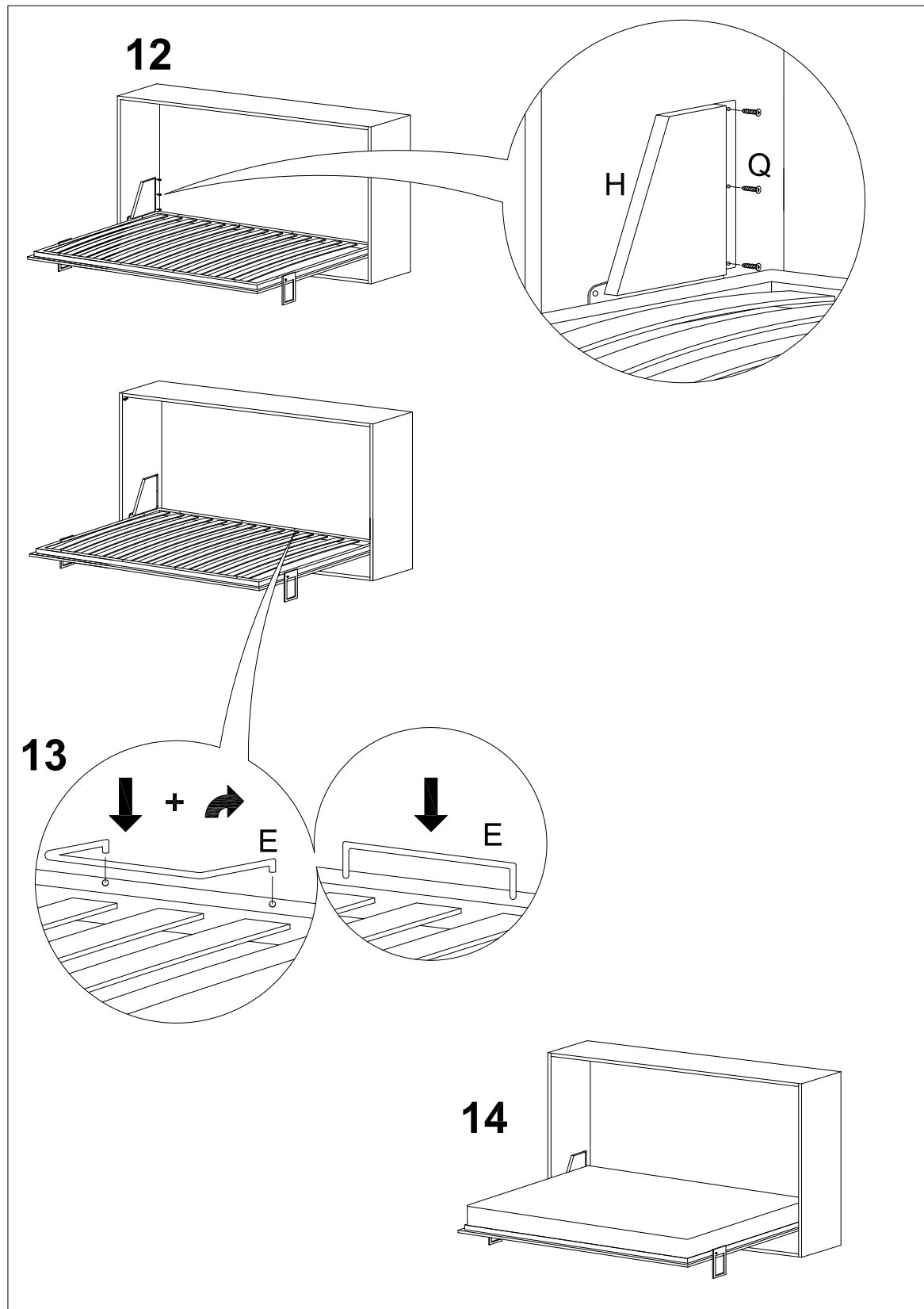


# CLICK-O (90x2000 en 140x2000)

Montagehandleiding



**DU PONT**  
HANDEL EN MAATWERK



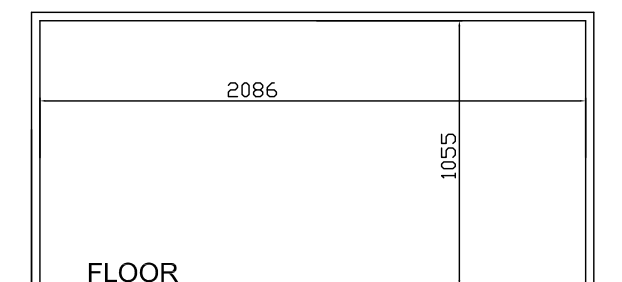
# CLICK-O (90x2000 en 140x2000)

Montagehandleiding

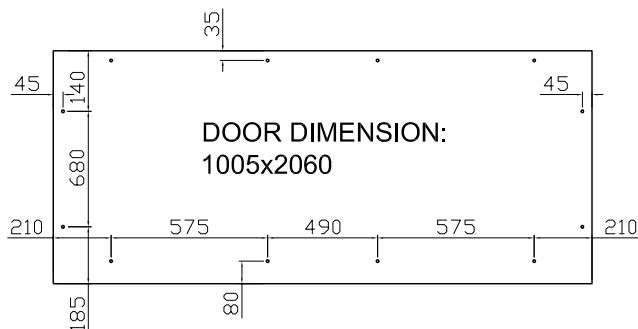
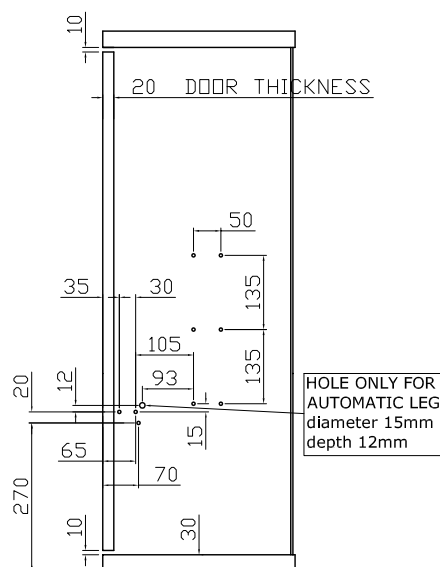


**DU PONT**  
HANDEL EN MAATWERK

## CLICK-O LOWER 920x2020



### HOLES FOR RIGHT AND LEFT SIDE



THREADED BUSH 6MA

THREADED BUSH 6MA

#### **CABINET DIMENSIONS:**

INTERNAL WIDE 2086mm  
HEIGHT FROM THE FLOOR 1055mm  
BASAMENT HEIGHT MAX 60mm

#### EXAMPLE:

METAL BASE DIMENSION 920x2020  
DOOR DIMENSION 1005x2060  
BASAMENT HEIGHT 30mm  
if you change basament dimension  
you have to change door size

#### DEPTH CABINET:

**THICKNESS DOOR + 280mm +**  
**THICKNESS BACK PANEL**

**FRONT PANEL + MATTRESS**  
**WEIGHT 40 Kg**  
**HEIGHT MATTRESS 180mm**

		DATA 22.11.2012
CLIENTE	ARTICOLD	<b>HOLES CLICK-O LOWER 920x2020</b>

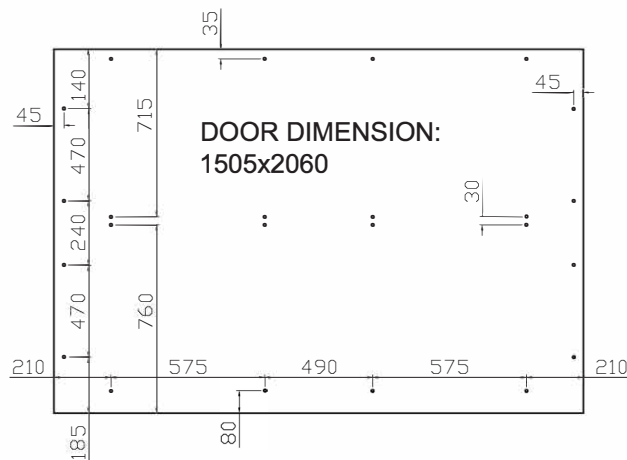
# CLICK-O (90x2000 en 140x2000)

Montagehandleiding



**DU PONT**  
HANDEL EN MAATWERK

## CLICK-O LOWER 1420x2020



THREADED BUSH 6MA

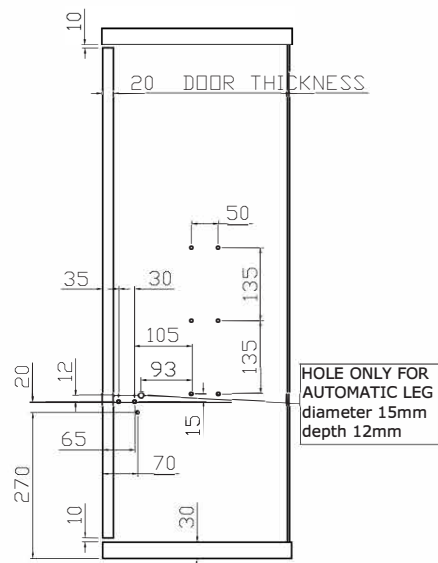
### **CABINET DIMENSIONS:**

INTERNAL WIDE 2086mm  
HEIGHT FROM THE FLOOR 1555mm  
BASAMENT HEIGHT MAX 60mm

### **EXAMPLE:**

METAL BASE DIMENSION 1420x2020  
DOOR DIMENSION 1505x2060  
BASAMENT HEIGHT 30mm  
if you change basament dimension  
you have to change door size

### HOLES FOR RIGHT AND LEFT SIDE



THREADED BUSH 6MA

### **DEPTH CABINET:**

**THICKNESS DOOR + 280mm +**  
**THICKNESS BACK PANEL**

### **FRONT PANEL + MATTRESS**

**WEIGHT 70 Kg**

**HEIGHT MATTRESS 180mm**