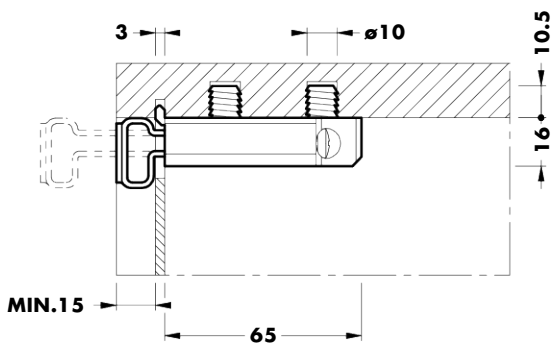
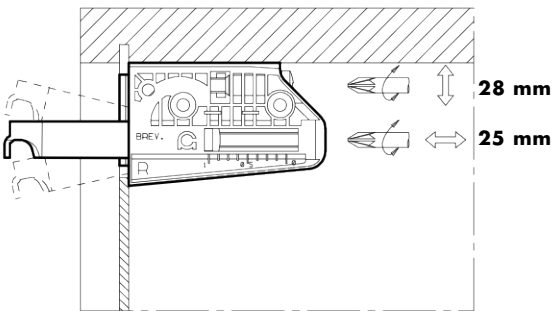
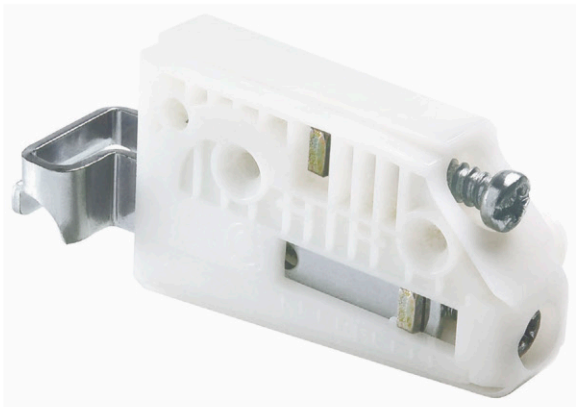


806 22 P2 IN



www.camar.it/warning



9		870	873	874	875
		558	559	559	560-562

880	890 AC 00 60 LS	569
	890 AC 01 00 LS	570
	890 AC 01 20 LS	571
	890 AC 01 40 LS	571

9		806
		527-528

